

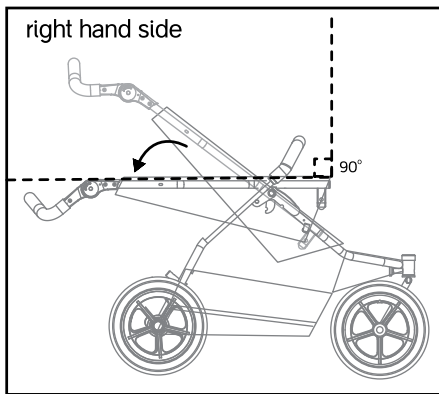
phil&teds®

cover instructions

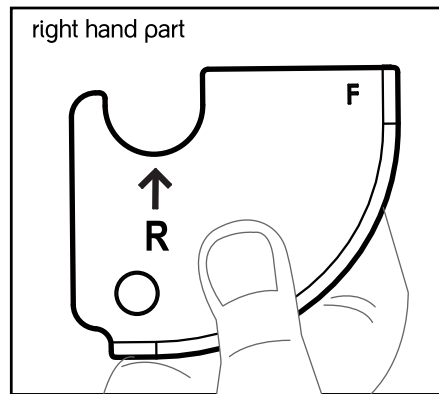
provided FREE to all phil&teds owners
of e3, sport v1 and twin buggies.

fit this cover to reduce the risk of
injury/entrapment when folding/unfolding

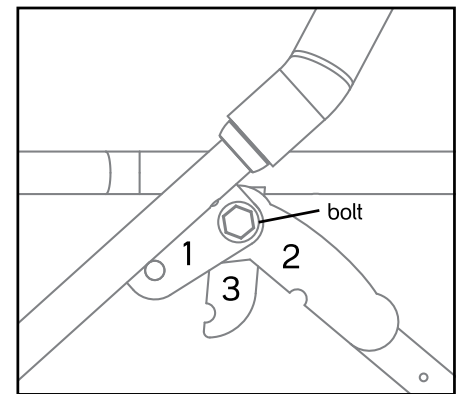
just fit, click & go!



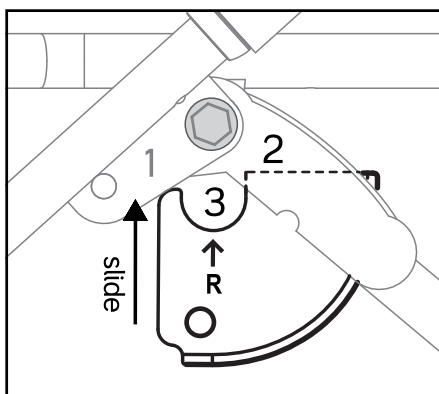
1. release the frame lock and hold
seat in horizontal position
(you might prefer to roll the buggy onto its side)



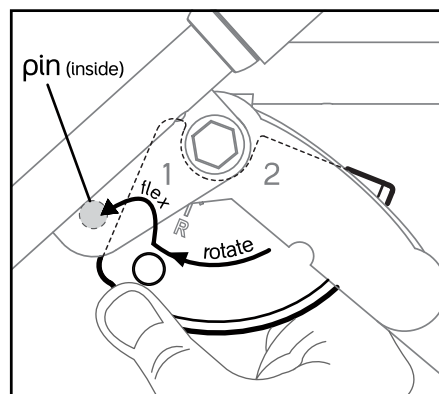
2. 'F' points to the front of buggy



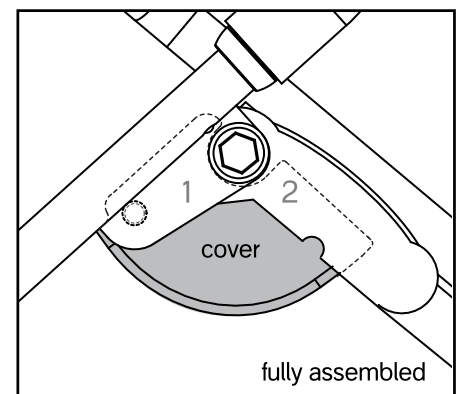
3. the hinge has 3 metal plates as
indicated



4. slide cover between 2 & 3;
aim arrow at bolt



5. rotate the cover as shown;
flex the cover up & over the pin
of plate (1)



6. repeat steps on the left side

done!